

FDV – DOKUMENTASJON		Nr.: 129
		Rev.:
		Dato: 24.5.2017
Produktspesifikasjon	Polyester bokser m/klare lokk	
Produktnavn	Fix-O-Rail Junior i 4 og 8 moduler Fix-O-Rail 55 i 12, 24 og 36 moduler	
Anvisning for drift	Ingen anvisning	
Vedlikehold	Produktet er vedlikeholdsfritt	
Henvisninger Vedlegg	Produktkatalog, dokumentasjon og tekniske data	
Produsent	General Electric	
Importør	EFA Elektro AS, Postboks 593, 1411 Kolbotn, Norway Tlf. 66812400 e-mail: post@efa.no - www.efa.no	

EFA Elektro AS

Produktansvarlig GE



Insulated enclosures Surface mounting

Fix-o-Rail Junior

IP40



Approvals / Marking



Standards

EN 60439-3

Applications



For new buildings, replacing old units and adding add-on devices.

Features

- High resistance material
- Modern design
- Compact construction
- High protection degree IP40
- Total insulation
- Total security
- Transparent cover allowing visibility of devices
- For all modular equipment
- Available in 4 and 8 modules
- Colour: RAL 7035
- ABS for the base
Flame resistance: self extinguishing material, resist the 650 °C
- Polycarbonate for the lid
Flame resistance: self extinguishing material, resist the 960 °C



Dimensions ● pg F.46



Insulated enclosures Surface mounting

Fix-o-Rail 55

IP55

Approvals / Marking



Standards

EN 60439-3

Applications



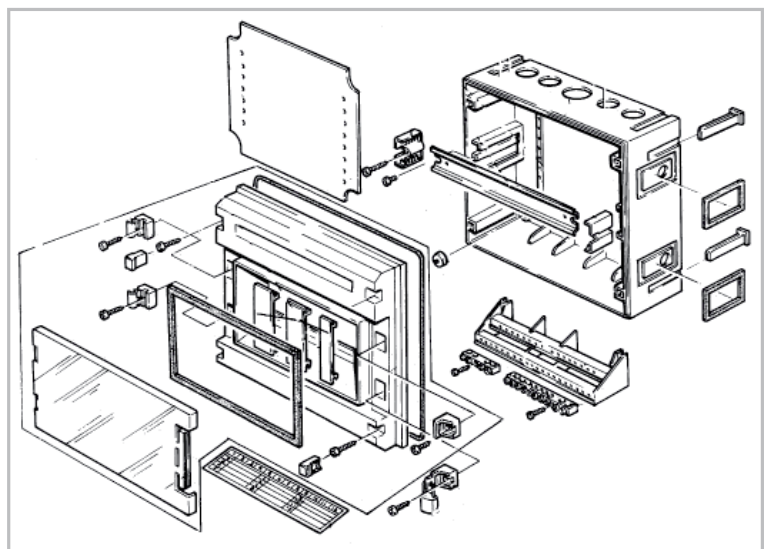
The Fix-o-Rail 55 enclosures are designed for power distribution in environments requiring a high protection degree.

Components

- Rigid base and protection cover, colour RAL 7035
- Transparent door
- DIN-rails, the centre distance between two DIN-rail is 125 mm
- Labeling facilities
- With earth bar for the 12, 24 and 36 modules

Features

- Total insulation \square
- Protection degree IP55-IK07
- Can be coupled
- Transparent door
- Adjustable DIN-rails, according the height of the DIN equipment
- For equipment up to 92.5 mm
- Padlocking option
- The transparent door can be opened to the left and the right
- Base:
 - ABS for the 3 up to 8 modules
 - Polystyreen for the 12 up to 36 modules
- Flame resistance: self extinguishing material, resist the 650°C
- Polycarbonate for the transparent door
- Halogene free



Dimensions ● pg F.50