

Data sheet

Commercial Art.No.: 92.256.0504.9

Cable assembly GST18i5KS-S 10 05PB02

GST18i5 connection cable, male - free end, number of poles 5, rated voltage 250 V / 400 V, rated current 10 A, cable type H05VV-F, total length 0.5 m, nominal cross section conductor 1 mm², color of coding/ contact carrier pastel blue



Commercial Art.No.	92.256.0504.9
EAN	4049088327971
Order Unit	1

Technical data

General

Rated current	10 A
Rated voltage	250 V / 400 V
Rated impulse voltage	4 kV
Pollution degree	2
Mechanical coding	Code 2
Continuity resistor	8.95 mOhm
Lockable	self-locking (unlocking by tool)
Color of coding/ contact carrier	pastel blue
Marking of poles	L, N, PE, D1, D2
Color of housing inclusive strain relief	black

Model

Nominal cross section conductor	1 mm ²
Degree of protection (IP)	IP40
Wire strip length	9 mm
sheath strip length	35 mm
Preparation of conductor ends	ultrasonically compressed wire ends
Cable type	H05VV-F
Cable color	black
Cable diameter max.	8.5 mm
Version of cable	male - free end
Type of cord set	connection cable
Version cable end 1	free end
Version cable end 2	GST18i5 plug
Shielded	No

Test holes	No
------------	----

Material

Surface finish	Tin-plated
Halogen free	No
Continuous temperature of cable	70 °C
Insulation components continuous temperature	100 °C
Fire load	0 kWh
Fire class	Eca

Dimensions

Total length	0.5 m
--------------	-------

Classification

ECLASS 11	
ECLASS 8.1	27440604
ETIM 9.0	EC002587
ETIM 8.0	EC002587
ETIM 7.0	EC002587
ETIM 6.0	EC002587
ETIM 5.0	EC002587
ETIM 4.0	EC002587

Product compliance

ROHS conformity status	Compliant/Exempted
ROHS exceptions	III-6(c)
REACH-SVHC conformity status	Duty-To-Declare
REACH-SVHC substances	Lead
REACH-SVHC CAS numbers	7439-92-1

Accessories

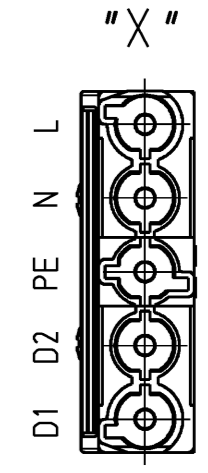
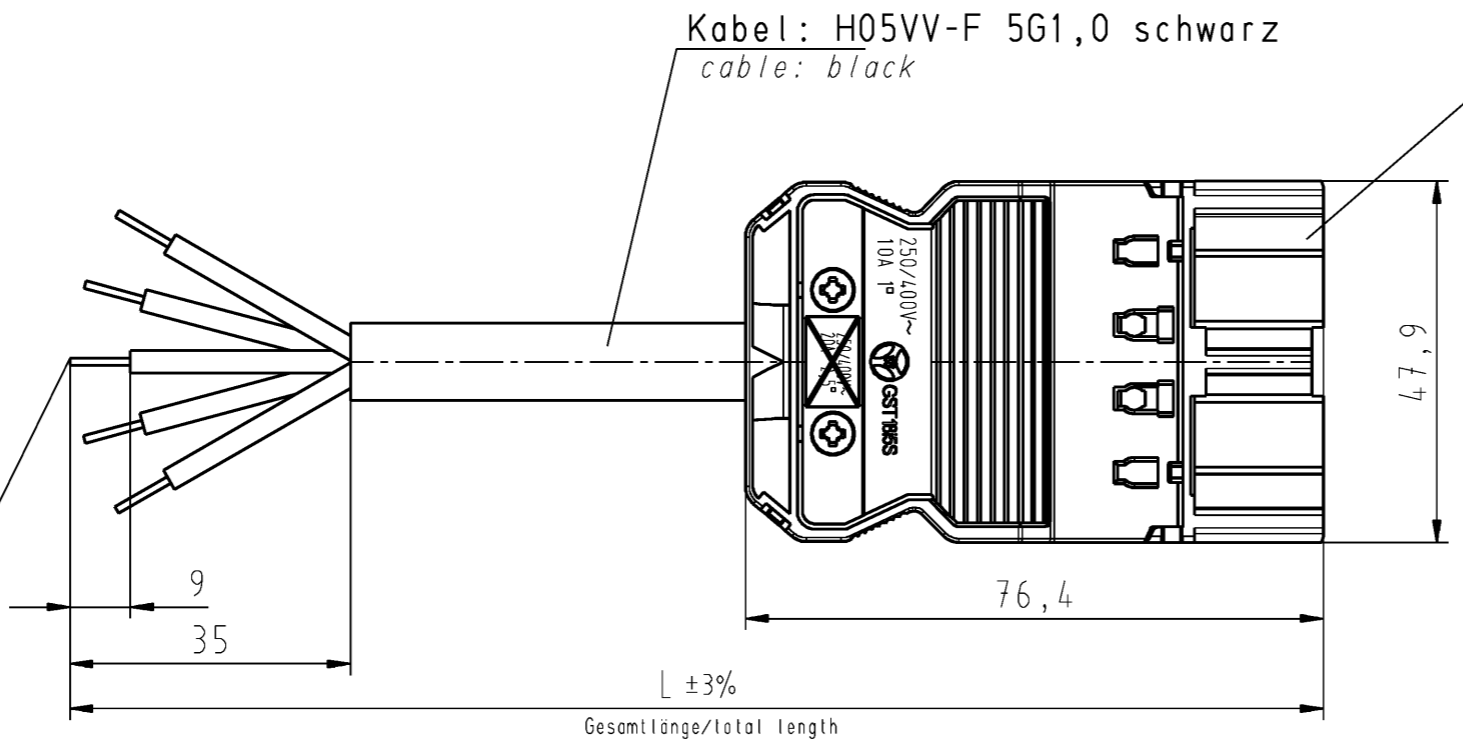
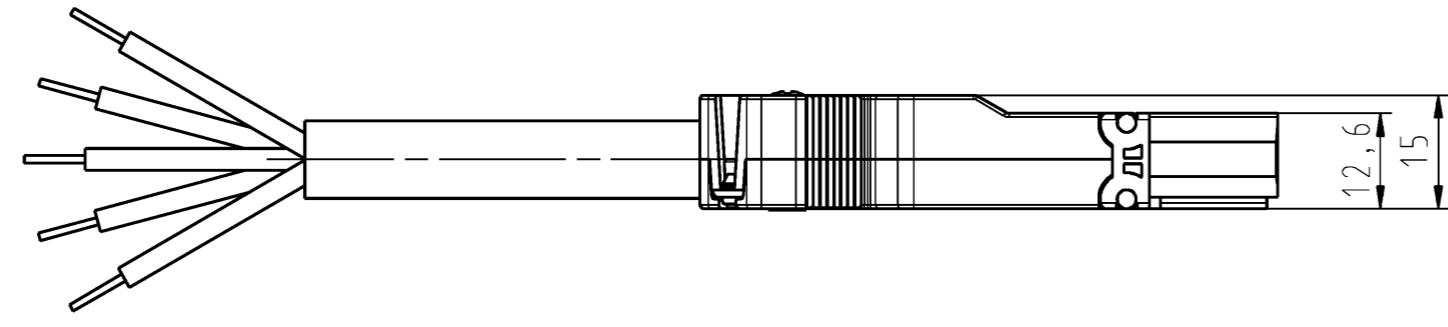
Commercial Art.No.:	Article-type description:	Description:
05.587.3156.0	Lock (G)ST18 WS	Locking device for cable to cable connection GST18i3-5, white
05.564.5353.0	cover cap GST18i3/4/5 SW	Cover piece 12 pole black for female parts GST18i3-6
05.564.5353.2	cover cap GST18i3/4/5 WS	Cover piece 12 pole white for female parts GST18i3-6
05.566.9253.0	cover cap GST18i5 BUCHSEN	Cover for female connectors GST18i5, black
05.587.3156.1	Lock (G)ST18 SW	Locking device for cable to cable connection GST18i3-5, black

A
Weitergabe sowie Vervielfältigung dieses Dokuments, Verwertung und Mitteilung seines Inhalts sind verboten, soweit nicht ausdrücklich gestattet.
The reproduction, distribution and utilization of this document as well as the communication of its contents to others without express authorization is prohibited.

B
These dimensions will be especially checked at delivery
Only inspection dimensions
With /E marked dimensions are only valid for internal use

C
Diese Maße werden bei Abnahme besonders geprüft
Ausschließlich Prüfmaße
Mit /E gekennzeichnete Maße sind nur für interne Zwecke gültig

D
F
Index Datum / Blatt
Date / Sheet
Änderung / Revision



5x Aderenden ultraschallverdichtet
5x conductor ends ultrasonically welded

Teile-Nr. part-no.	L	Beispiel exampel	Typ type
92.256.XX04.9	XX in dm-Schritten	92.256.1004.9 = 10dm/L = 1000mm	GST1815KS-S 10 10PB02
U2.256.XX04.9	XX in m-Schritten	U2.256.1204.9 = 12m/L = 12000mm	GST1815KS-S 10 X12PB02
Weitere Daten siehe KATALOG oder eKATALOG. Additional data see CATALOG or eCATALOG.			www.wieland-electric.com eshop.wieland-electric.com
Tolerierung Size ISO 14405 © / Tolerance system Size ISO 14405 ©. (This ISO-standard describes the envelope principle. According to the envelope principle the deviations of form and parallelism are limited by the size tolerances).		ja/yes <input checked="" type="checkbox"/> Stoffverbots- und Deklarationsliste nach WN 5020.010 ist einzuhalten. Conformity with Wieland document WN 5020.010 e (list of prohibited / declarable hazardous substances) to be declared!	
Freitoleranz nach General tolerance		CAD - Zeichnung, keine manuellen Änderungen CAD - drawing, no manual modifications allowed	1. Verwendung: First Use: Blatt: 1 von 1 Sheet: of 1
/	Werkstoff / Material	Tag/Date	Name
/	Maßstab / Scale	gezeichnet drawn	06.10.2015 Treschan
/	/	geprüft checked	
/	/	Normgepr. Stand. check	
/	Vol. mm ³ Dfl./Srf. mm ²	Ersatz für / Replacement for:	
/	wieland www.wieland-electric.com	Type KS-S 10 ... PB02	Benennung/Title KONFEKT. LEITUNG Stecker - fr. Ende, 250/400V 10A 1,0qmm, Schraubausf. pre assembled cable, male - free end
Index	Datum / Blatt Date / Sheet	Zeichnung Nr. / Drawing No. T 92.256.0504.9 01K	
Änderung / Revision	Maße in mm / Dimensions are in mm		