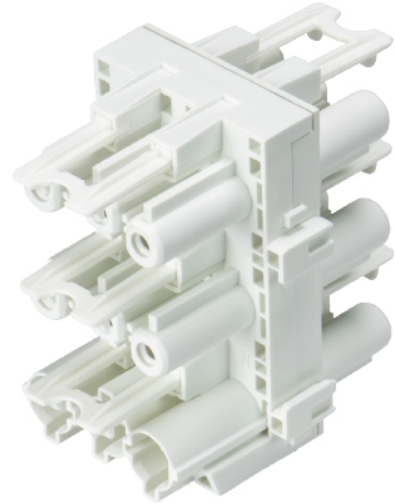


## Data sheet

Commercial Art.No.: 92.030.0953.0

Distributor GST18i3V 5P1 BV WS

GST18i3 Distributor, with fastening option to 07.413.6853.1/0, number of poles 3, rated voltage 250 V, rated current 20 A, number of inputs 1, number of outputs 5, color of coding/ contact carrier white



Commercial Art.No.	92.030.0953.0
EAN	4049088391903
Order Unit	1

Certificates / Approvals



## Technical data

### General

Rated current	20 A
Rated voltage	250 V
Rated impulse voltage	4 kV
Pollution degree	2
Mechanical coding	Code 1
Lockable	self-locking (unlocking by tool)
Color of coding/ contact carrier	white
Marking of poles	L, N, PE

### Model

Number of inputs	1
Number of outputs	5
Type of fastening	yes
Degree of protection (IP)	IP40
Type of distributor	HH-distributor

### Material

Housing material	Polyamide
Halogen free	yes
Contact material	CuZn
Fire load	0.222 kWh
Insulation components continuous temperature	100 °C

Surface finish	Tin-plated
----------------	------------

#### Dimensions

Length	58 mm
Width	34.9 mm
Height	52.5 mm

#### Classification

ECLASS 11	
ECLASS 8.1	27440603
ETIM 9.0	EC002567
ETIM 8.0	EC002567
ETIM 7.0	EC002567
ETIM 6.0	EC002567
ETIM 5.0	EC002567
ETIM 4.0	EC002567

#### Product compliance

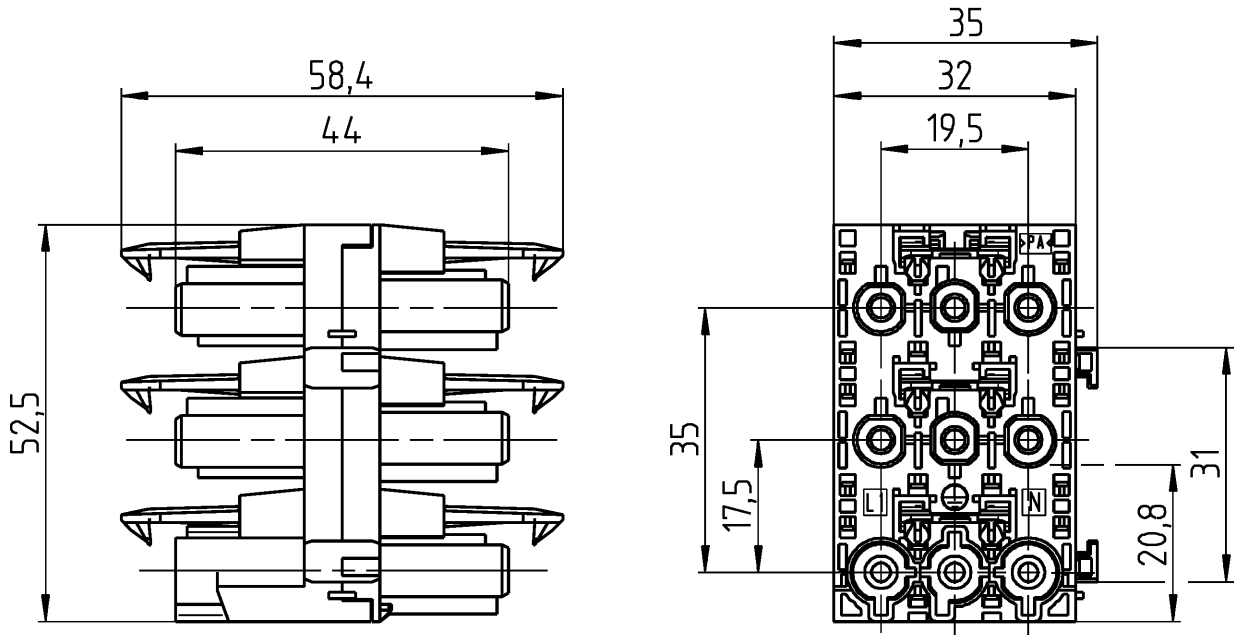
ROHS conformity status	Compliant/Exempted
ROHS exceptions	III-6(c)
REACH-SVHC conformity status	Duty-To-Declare
REACH-SVHC substances	Lead
REACH-SVHC CAS numbers	7439-92-1

#### Accessories

Commercial Art.No.:	Article-type description:	Description:
05.588.5753.0	Lock GST18 VERTEILER WS	Locking device for distributor GST18i3-5, retrofit part, white
05.588.5753.1	Locking slide GST18 VERTEILER SW	Locking device for distributor GST18i3-5, retrofit part, black
05.561.3653.0	cover cap GST18i3VS B WS	Cover piece for female GST18i3, white
05.561.3653.1	cover cap GST18i3VS B SW	Cover piece for female GST18i3, black
05.564.5353.0	cover cap GST18i3/4/5 SW	Cover piece 12 pole black for female parts GST18i3-6
05.564.5353.2	cover cap GST18i3/4/5 WS	Cover piece 12 pole white for female parts GST18i3-6
05.594.4250.0	cover cap ST18/3B + GST18i3 ST WS	
05.594.4253.0	cover cap ST18/3B + GST18i3 ST WS	
07.413.6853.0	Supporting plate GST18 VERTEILER WS	gegis®-Mounting plate for GST18-distributors. For fastening to load-bearing, straight surfaces; fixing on cable trays with moulded expanding rivets; lying distributor mounting; color white

A  
 Weitergabe sowie Vervielfältigung dieses Dokuments, Verwertung und Mitteilung seines Inhalts, sind verboten, soweit nicht ausdrücklich gestattet.  
 The reproduction, distribution and utilization of this document as well as the communication of its contents to others without express authorization is prohibited.

B  
 These dimensions will be especially checked at delivery  
 Only inspection dimensions  
 With /E marked dimensions are only valid for internal use



D  
 Diese Maße werden bei Abnahme besonders geprüft  
 Ausschließlich Prüfmaße  
 Mit /E gekennzeichnete Maße sind nur für interne Zwecke gültig

Weitere Daten siehe Katalog  
 /further data see catalog

Teilenummer /part number	Typ / type	Farbe / colour
92.030.0953.0	GST1813V 5P1 B V WS	weiß / white
92.030.0953.1	GST1813V 5P1 B V SW	schwarz / black

Tolerierung Size ISO 14405 (E) / Tolerance system Size ISO 14405 (E). (This ISO-standard describes the envelope principle. According to the envelope principle the deviations of form and parallelism are limited by the size tolerances). ja/yes  Stoffverbots- und Deklarationsliste nach WN 5020.010 ist einzuhalten. Conformity with Wieland document WN 5020.010 e (list of prohibited / declarable hazardous substances) to be declared!

Freitoleranz nach General tolerance CAD - Zeichnung, keine manuellen Änderungen CAD - drawing, no manual modifications allowed 1. Verwendung: First Use: Blatt: 1 von 1 Sheet: of 1

Werkstoff / Material	Tag/Date	Name	Zeichnung Nr. / Drawing No.	Index
Maßstab / Scale 1:1	gezeichnet drawn	08.05.2019	T 92.030.0953.0 13K	
	geprüft checked			
	Normgepr. Stand. check			
Vol. mm <sup>3</sup> Dfl./Srf. mm <sup>2</sup>	Ersatz für / Replacement for:			
Type		Benennung/Title		
siehe Tabelle see table		Verteiler mit Befestigungsmöglichkeit an separater Montageplatte with interface to separate supporting plate		
Änderung / Revision	www.wieland-electric.com			