

Product data

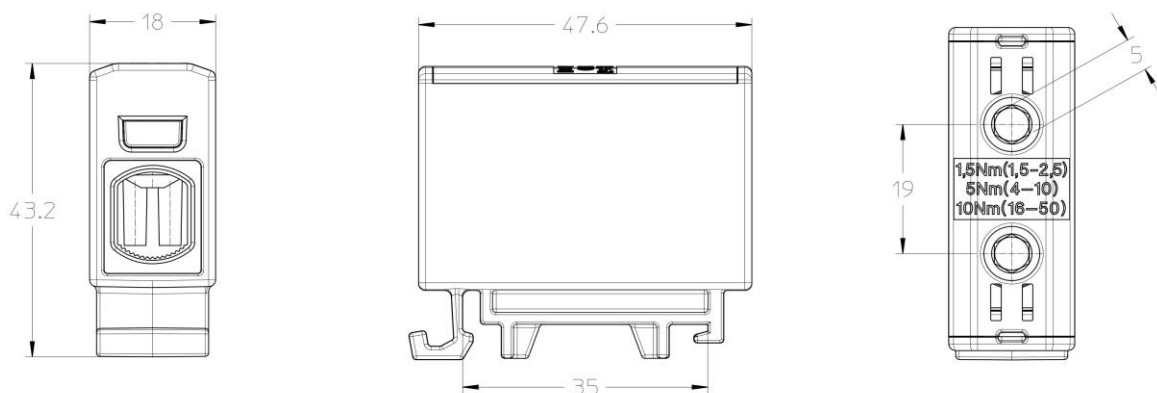
Product code	VC05-0143	STK-code	1912025	EAN-code	6410019120257
Product name	OTL-connector 1xAl/Cu 1,5-50mm² (Black)			ETIM class	EC000897
Wires	1xAl/Cu 1,5-50mm²				

Technical data

Nominal current (IEC)	Cu	160	A
	Al	145	A
Nominal voltage (IEC)		1000	V
		-	
		-	
		-	
Number of poles		1	pcs
Max. Cross section		50	mm ²
Tightening torque			
	1,5-2,5 mm ² (14-16 AWG)	1,5	Nm
	4-10 mm ² (8-12 AWG)	5	Nm
	16-50 mm ² (1/0-6 AWG)	10	Nm
		-	
Max. Operating temperature		80	°C
Weight		30	g
IP-protection		IP20	
Standards	EN 61238-1; EN60947-7-1;		
Color / Material	Black RAL 9017/ PA66-V0		
Mounting / Connection	DIN-rail mounting		


Description

OTL-connectors are designed for connecting and branching aluminium and copper conductors. The body is made of tin plated aluminium. Housing is made of UL94 V0 class polyamide.

Drawing

Package

Package	Box	Pcs / Package	30	Weight [kg]	1,00
Length [mm]	210	Width [mm]	155	Height [mm]	105

Ouneva Oy

Teollisuustie 21
 FI-82730 Tuupovaara
 Finland

Tel. +358 400 179 750
info@ouneva.fi

www.ounevagroup.fi
www.ounevaproducts.fi