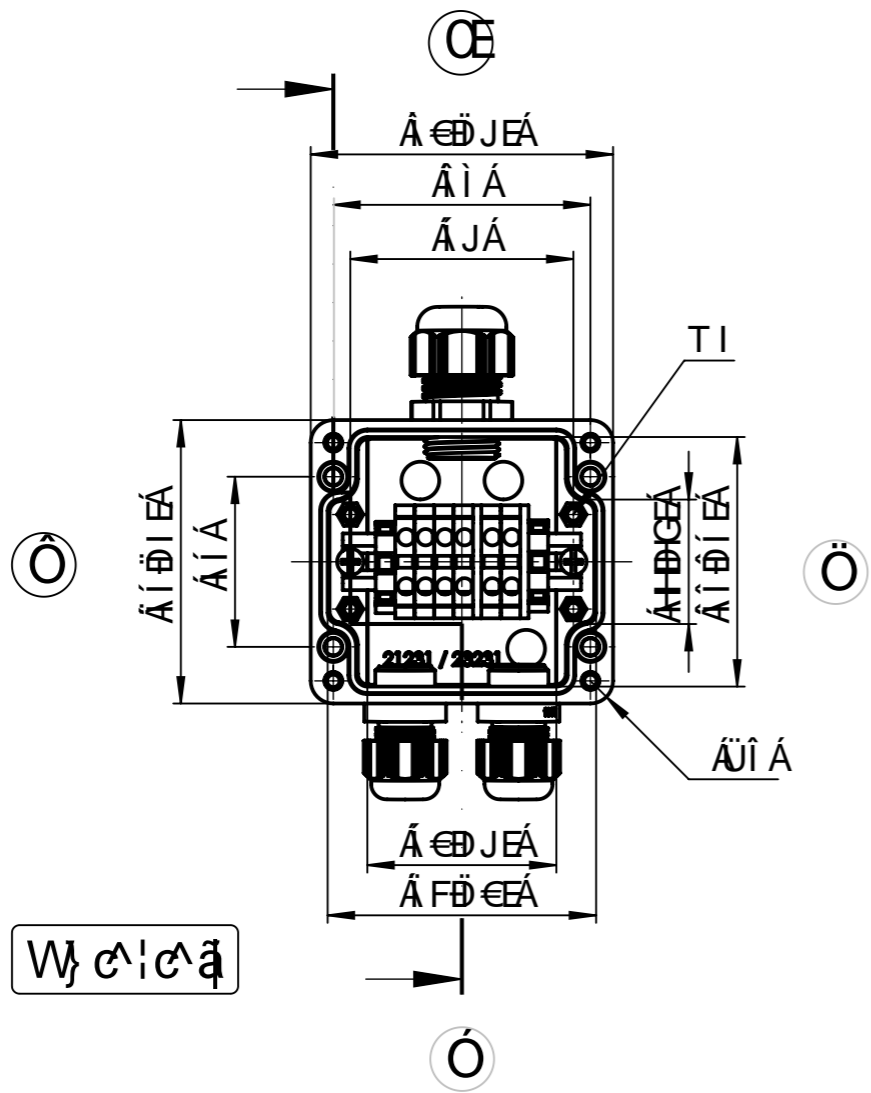


Ö^&^|

ΕΑΥΤ α•Ά~|&@Δ|{| \ [} ã ãêÁ α&@Á } c } . Á^| | ã * ^ | c
 ΑΑΑΑ^ã α•ΑΑΥ| ^ | α : Α α&@Δ Δ Α | J Ε Ε | Ε



Wj c^|cã

