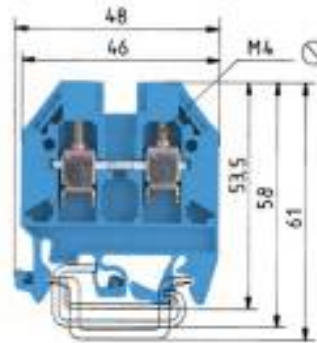


**Product data sheet**

Item No. 57.506.0055.6

**Feed-through terminal WK 6 / U BLUE /V0**

Feed-through DIN rail terminal block with screw connection for mounting on TS 35 and TS 32, nominal cross section 6 mm<sup>2</sup>, width 8 mm, color blue



Item No.	57.506.0055.6
EAN	4015573487987
Order Unit	100 Piece(s)

**Certificates / Approvals**

**Technical data**
**General**

Nominal cross section	6 mm <sup>2</sup>
Colour	Blue
Number of levels	1
Number of clamp positions per level	2
Width/grid dimension	8 mm
Insulating housing	PA666
Inflammability class of insulation material acc. with UL94	V0
Explosion-tested version "Ex e"	Yes
Mounting method	DIN rail (top hat rail)/G-rail
Terminal blocks for electrical installations	Yes

**Technical data**

Rated current	41 A
Rated voltage	1000 V
Rated impulse voltage	8 kV
Pollution degree	3
Closing plate required	Yes
Type of insulation material	Thermoplastic
Length	48 mm

**Connection Data**

Connection type 1	Screw connection
Connection type 2	Screw connection
Minimum cross section solid	0.5 mm <sup>2</sup>

Maximum cross section solid	10 mm <sup>2</sup>
Minimum cross section fine stranded	0.5 mm <sup>2</sup>
Maximum cross section fine stranded	6 mm <sup>2</sup>
Wire strip length	11 mm
Torque conductor mounting	1.2 Nm

**Technical Data UL/CSA**

Cross section UL	22-8 AWG
Voltage UL	600 V
Current factory wiring	50 A
Current field wiring	50 A
Cross section CSA	20-8 AWG
Voltage CSA	600 V
Current CSA	45 A

**Technical drawing**

Hutschiene EN 60715-35x7,5  
 mounting rail EN 60715-35x7,5  
 Hutschiene EN 60715-35x15  
 mounting rail EN 60715-35x15  
 G-Schiene EN 60715-632  
 G-rail EN 60715-632

\* = spezielle Verpackung  
 specific package

Teile - Nr. Part-number	Farbe colour	Typ type
57.506.0055.0	grau/grey	WK 6/U/V0
57.506.0055.1	schwarz/black	WK 6/U schwarz/V0
57.506.0055.2	weiß/white	WK 6/U weiß/V0
57.506.0055.5	rot/red	WK 6/U rot/V0
57.506.0055.6	blau/blue	WK 6/U blau/V0
57.506.0055.7	grün/green	WK 6/U grün/V0
57.506.0055.8	gelb/yellow	WK 6/U gelb/V0
57.506.0055.9	orange	WK 6/U orange/V0
57.506.0095.0	grau/grey	WK 6/U/V0
57.506.0095.6	blau/blue	WK 6/U blau/V0
57.506.0095.9	orange	WK 6/U orange/V0

Weitere Daten siehe Katalog  
further data see catalog

Maßstab 2:1	2004 Entwurfer Gepr.	21.10. Schnitt J.	T	Zeichnung Nr. 57.506.0055.0 01K	Blatt 1 von 1
a 27.05.2007 Besetzung Änderung	Elektrische Verbindungen	WK 6/U	Besetzung DURCHGANGSKLEMME	Ersatz für Modulare Terminal	a

57.506.0055.0\_4\_01K/0041/Version:2007-05-27/1/511\_1030