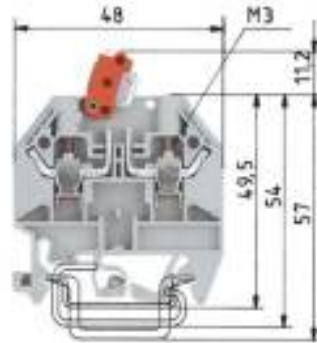


Product data sheet

Item No. 57.504.2355.0

Knife disconnect terminal WK 4 TKMP3/U /V0

Knife disconnect terminal block with screw connection for mounting on TS 35 and TS 32, nominal cross section 4 mm², width 6 mm, color gray



Item No.	57.504.2355.0
EAN	4015573527393
Order Unit	100 Piece(s)

Certificates / Approvals



Technical data

Note

Integrated test socket	Yes
------------------------	-----

General

Nominal cross section	4 mm ²
Colour	Grey
Number of levels	1
Number of clamp positions per level	2
Width/grid dimension	6 mm
Insulating housing	PA666
Inflammability class of insulation material acc. with UL94	V0
Mounting method	DIN rail (top hat rail)/G-rail
Terminal blocks for electrical installations	No

Technical data

Rated current	20 A
Rated voltage	400 V
Rated impulse voltage	4 kV
Pollution degree	3
Closing plate required	Yes
Type of insulation material	Thermoplastic
Length	48 mm

Connection Data

Connection type 1	Screw connection
-------------------	------------------

Connection type 2	Screw connection
Minimum cross section solid	0.5 mm ²
Maximum cross section solid	6 mm ²
Minimum cross section fine stranded	0.5 mm ²
Maximum cross section fine stranded	4 mm ²
Wire strip length	9 mm
Torque conductor mounting	0.5 Nm

Technical Data UL/CSA

Cross section UL	22-10 AWG
Voltage UL	600 V
Current factory wiring	20 A
Current field wiring	20 A
Cross section CSA	22-10 AWG
Voltage CSA	300 V
Current CSA	20 A

Technical drawing

Dimensions: 11.2, 54, 49.5, 3.9, 4.8, 3.8, 4.7, 26.3, 30.8, 33.8, 6, 3.2

Hutschiene EN 50022-35x 7.5
 mountail rail EN 60715-35x7,5
 Hutschiene EN 50022-35x15
 mountail rail EN 60715-35x15
 G-Schiene EN 50035-G32
 G-rail EN 60715-32

* spezielle Verpackung
specific package

Weitere Daten siehe Katalog
further data see catalog

Teile-Nr. part-number	Farbe colour	Typ type
57.504.2355.0	kieselgrau	WK4 TKM P3/U/V0
57.504.2355.6	blau	WK4 TKM P3/U BLAU/V0
* 57.504.2395.0	kieselgrau	WK4 TKM P3/U/V0
* 57.504.2395.6	blau	WK4 TKM P3/U BLAU/V0

2:1	2004	Tag	Name	Zzeichnung Nr.	nr. 1
Druckverf.	04.10.	05/11/11 J.	T	57.504.2355.0 01K	Index
reparat				Ersatz für:	
			MESSERTRENNKLEMME mit 2 Prüfbüchse / with 2 test sockets Knife disconnect terminal		