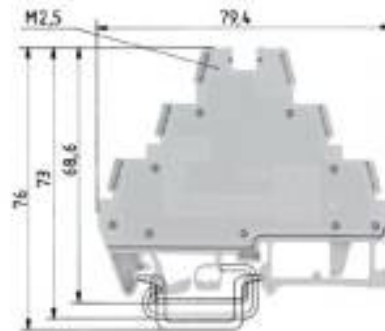


Product data sheet

Item No. 57.503.8855.0

Initiator terminal WWK 2,5-3 D/U /V0

Initiator terminal block with screw connection for mounting on TS 35 and TS 32, nominal cross section 2.5 mm², width 6 mm, color gra



Item No.	57.503.8855.0
EAN	4015573511743
Order Unit	50 Piece(s)

Certificates / Approvals



Technical data

Note

Display	None
Power supply function	No

General

Nominal cross section	2.5 mm ²
Colour	Grey
Number of levels	3
Number of clamp positions per level	2
Width/grid dimension	6 mm
Insulating housing	PA666
Inflammability class of insulation material acc. with UL94	V0
Mounting method	DIN rail (top hat rail)/G-rail
Terminal blocks for electrical installations	No

Technical data

Rated current	24 A
Rated voltage	400 V
Rated impulse voltage	6 kV
Pollution degree	3
Closing plate required	No
Type of insulation material	Thermoplastic
Length	79.4 mm

Connection Data

Connection type 1	Screw connection
Connection type 2	Screw connection
Minimum cross section solid	0.5 mm ²
Maximum cross section solid	4 mm ²
Minimum cross section fine stranded	0.5 mm ²
Maximum cross section fine stranded	2.5 mm ²
Wire strip length	7 mm
Torque conductor mounting	0.4 Nm

Technical Data UL/CSA

Cross section UL	22-12 AWG
Voltage UL	300 V
Current factory wiring	25 A
Current field wiring	20 A
Cross section CSA	22-12 AWG
Voltage CSA	300 V
Current CSA	25 A

Technical drawing

79,4
66,6
73,1
76,1
6
>PA<
300V 2,5
WK 2,5 - 3D.../U

weitere Daten siehe Katalog
further data see catalog

Teile-Nr. Teil-Nr.	Farbe colour	Typ type
57.503.8853.0	grau	WK 2,5-3 D/U
57.503.8855.0	kieselgrau pebble grey	WK 2,5-3 D/U /VO

G-Schiene EN 60715 - G 32
mounting rail EN 60715 - G32

Hutschiene EN 60715 - 35x7,5
mounting rail EN 60715 - 35x7,5

Hutschiene EN 60715 - 35x15
mounting rail EN 60715 - 35x15

Flur/terrazza hoch	MSD 1203	Werkstoff und Oberfläche	2003	Tag	Name	1. Verwendung	30.1	ev. 1	Index
/	x		Einwerten	25.06.	Beer F.				57.503.8853.0 01K
/			geprüft						
/	W	W	W	W	W	W			
/									
/									
Werkstoff / Material	wieland		Benennung		DREILEITERKLEMME THREE-LEVEL TERMINAL				
Änderung	Wieland Electric		Wieland Electric						

57.503.8853.001K_4 CAD/MSD Revue 25.06.2003 14:12:17 1:000