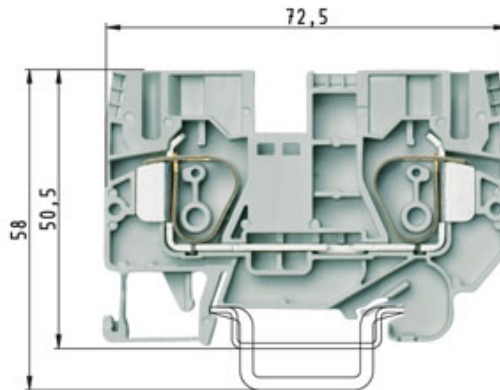


Product data sheet

Item No. 56.710.0055.0

Feed-through terminal WKFN 10/35

Feed-through DIN rail terminal block with spring clamp connection for mounting on TS 35, nominal cross section 10 mm², width 10 mm,color gray



Item No.	56.710.0055.0
EAN	4015573906402
Order Unit	50 Piece(s)

Certificates / Approvals



Technical data

General

Nominal cross section	10 mm ²
Colour	Grey
Number of levels	1
Number of clamp positions per level	2
Width/grid dimension	10 mm
Insulating housing	PA666
Inflammability class of insulation material acc. with UL94	V0
Explosion-tested version "Ex e"	Yes
Mounting method	DIN rail (top hat rail)/G-rail
Terminal blocks for electrical installations	Yes

Technical data

Rated current	57 A
Rated voltage	800 V
Rated impulse voltage	8 kV
Pollution degree	3
Closing plate required	Yes
Type of insulation material	Thermoplastic

Length	72.5 mm
--------	---------

Connection Data

Connection type 1	Tension clamp connection
Connection type 2	Tension clamp connection
Minimum cross section solid	1.5 mm ²
Maximum cross section solid	10 mm ²
Minimum cross section fine stranded	0.2 mm ²
Maximum cross section fine stranded	10 mm ²
Minimum cross section stranded	16 mm ²
Maximum cross section stranded	16 mm ²
Wire strip length	15 mm

Technical Data UL/CSA

Cross section UL	16-6 AWG
Voltage UL	600 V
Current factory wiring	60 A
Current field wiring	60 A
Cross section CSA	16-6 AWG
Voltage CSA	600 V
Current CSA	65 A

Technical drawing

Hutschiene EN 60715-35x7,5
mounting rail EN 60715-35x7,5

Hutschiene EN 60715-35x15
mounting rail EN 60715-35x15

T-Nr. part-no.	Farbe colour	Typ type
56.710.0055.0	grau grey	WKFN 10/35
56.710.0055.6	blau blue	WKFN 10/35 BLAU

Material	2007	Tap/20%	None	zeichnung Nr./Drawing No.	
Dimensions	30.00	30.00	30.00	56.710.0055.0 01K	
Scale	1:1				
Material	2007	Tap/20%	None		
Dimensions	30.00	30.00	30.00		
Scale	1:1				

Weitere Daten siehe Katalog
further data see catalog

DURCHGANGSKLEMME
fasis pro - Federkraftanschluss 10mm²
terminal with spring clamp connection