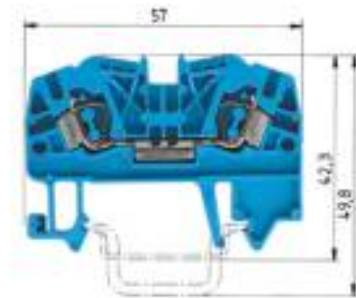


Product data sheet

Item No. 56.703.0053.6

Feed-through terminal WKF 2,5 / 35 BLUE

Feed-through DIN rail terminal block with spring clamp connection for mounting on TS 35, nominal cross section 2.5 mm², width 5 mm, color blue



Item No.	56.703.0053.6
EAN	4015573346680
Order Unit	100 Piece(s)

Certificates / Approvals



Technical data

General

Nominal cross section	2.5 mm ²
Colour	Blue
Number of levels	1
Number of clamp positions per level	2
Width/grid dimension	5 mm
Insulating housing	PA666
Inflammability class of insulation material acc. with UL94	V0
Explosion-tested version "Ex e"	Yes
Mounting method	DIN rail (top hat rail) 35/7.5 mm
Terminal blocks for electrical installations	Yes

Technical data

Rated current	24 A
Rated voltage	800 V
Rated impulse voltage	8 kV
Pollution degree	3
Closing plate required	Yes
Type of insulation material	Thermoplastic
Length	5 mm
Width	57 mm

Connection Data

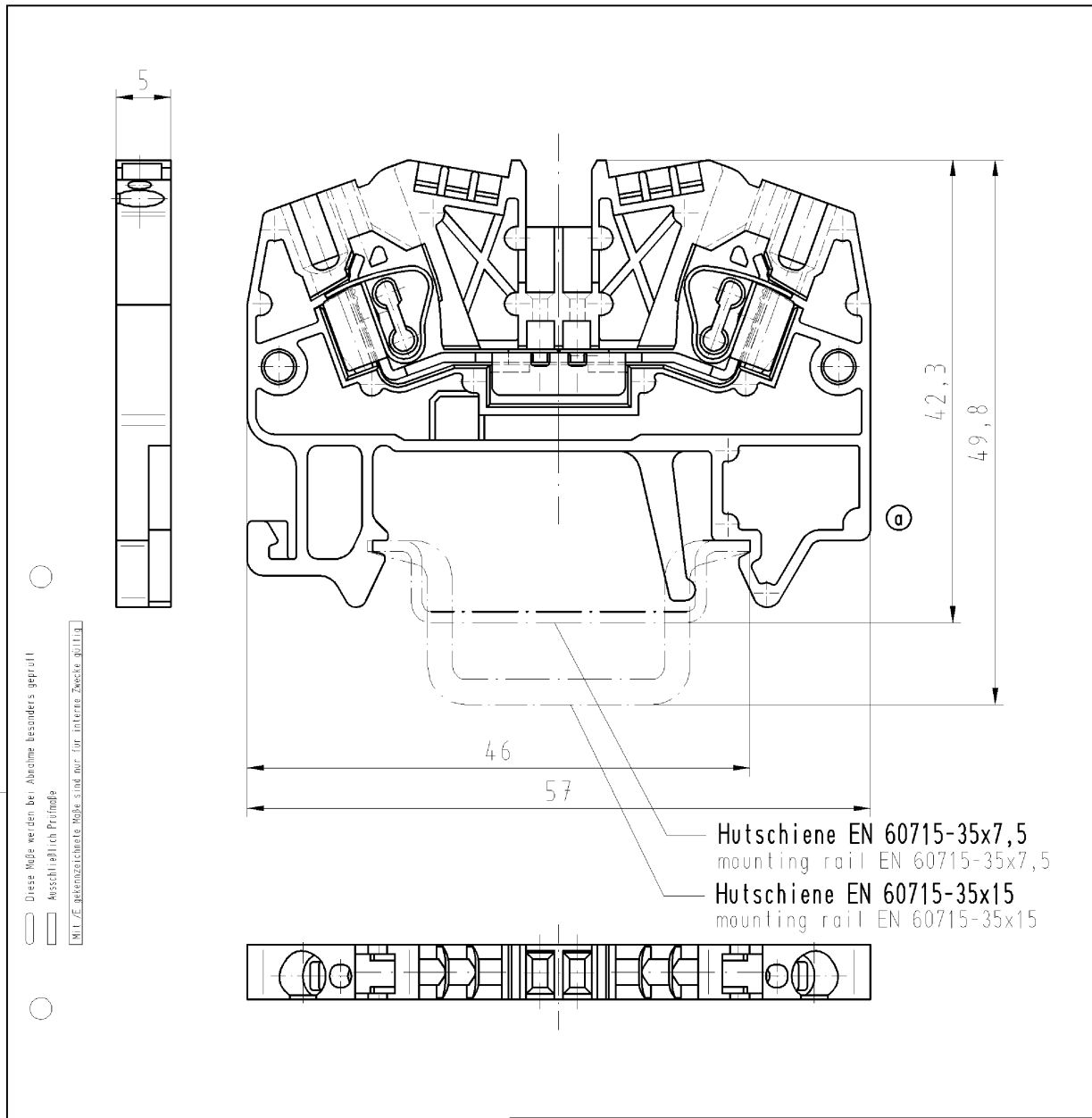
Connection type 1	Tension clamp connection
Connection type 2	Tension clamp connection

Minimum cross section solid	0.13 mm ²
Maximum cross section solid	4 mm ²
Minimum cross section fine stranded	0.13 mm ²
Maximum cross section fine stranded	2.5 mm ²
Wire strip length	11 mm

Technical Data UL/CSA

Cross section UL	22-12 AWG
Voltage UL	600 V
Current factory wiring	30 A
Current field wiring	20 A
Cross section CSA	24-12 AWG
Voltage CSA	600 V
Current CSA	25 A

Technical drawing



Weitere Daten siehe Katalog
further data see catalog

Teile-Nr. part-nr.	Farbe colour	Type type
56.703.0053.0	grau grey	WKF 2,5/35
56.703.0053.6	blau blue	WKF 2,5/35 BLAU WKF 2,5/35 blue

Freitoleranz nach DIN		CAD - Zeichnung, keine manuellen Änderungen			1. Verwendung: -		Bl.: 1 von 1	
Maßstab		2002	Tag	Name		Zeichnung Nr.		Index
2:1		Entworfen	25.09.	Schneiderb.		56.703.0053.0 01K		a
		Geprüft	-	-		Ersatz für: -		
		Normgepr.	-	-		Ersatz für: -		
 wieland Elektrische Verbindungen		Benennung DURCHGANGSKLEMME terminal						
a 28.06.2004/ Buchstabe Datum / Blatt Änderung								

567030053001K_4 CADW20 Bauer 2004-06-28T08:07:40 1.000

