

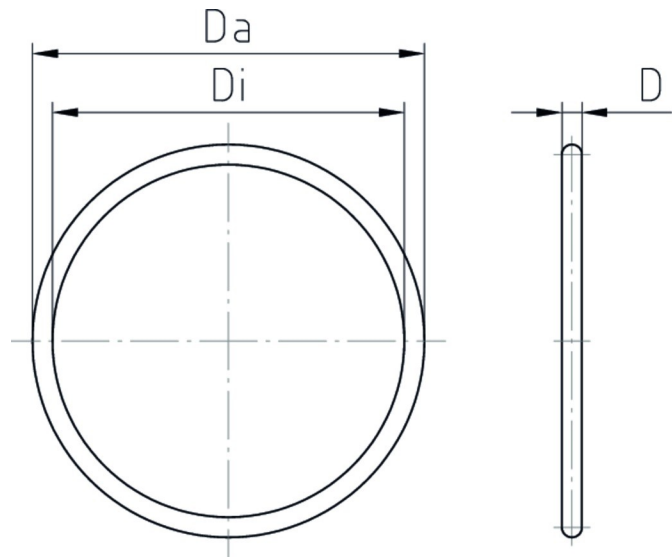
## O-ring

50.3xx Gz


O-ring	Nitrile rubber NBR
--------	--------------------

### Properties

Temperature range (°C)	-30 +100	<ul style="list-style-type: none"> <li>for improved sealing on the connection thread, ozone tested</li> </ul>
Comment	assembled o-ring enables higher protection grades	



### Features

Size	D	Da	Di		Part No.
M12	1,5	12	9	-	50.312 G/1.5
M16/Pg9	1,5	16	13	-	309 G/1.5
M20/Pg 13,5	1,5	21	18	-	313 G/1.5
M25	2	25	21	-	50.325 G/2
M32	2,5	34	29	-	50.332 G/2.5
M40	2	41	37	-	50.340 G/2
M50	2,5	52	47	-	50.350 G/2.5
M63	3	66	60	-	50.363 G/3