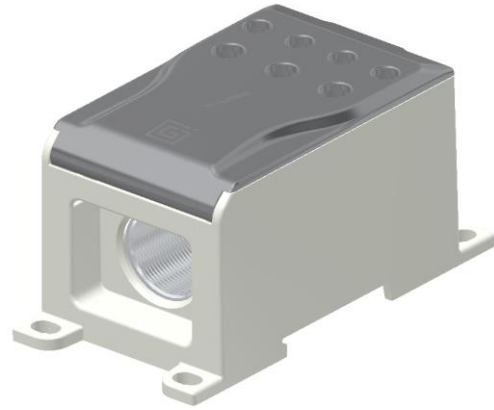


Product data

Product code	VG03-0007	STK-code	1912093	EAN-code	6410019120936
Product name	OJL-connector 400 C				
Wires	1xAl/Cu 95-240/ 3xCu(6-50 mm ²)/ 4xCu(2,5-35mm ²)				

Technical data

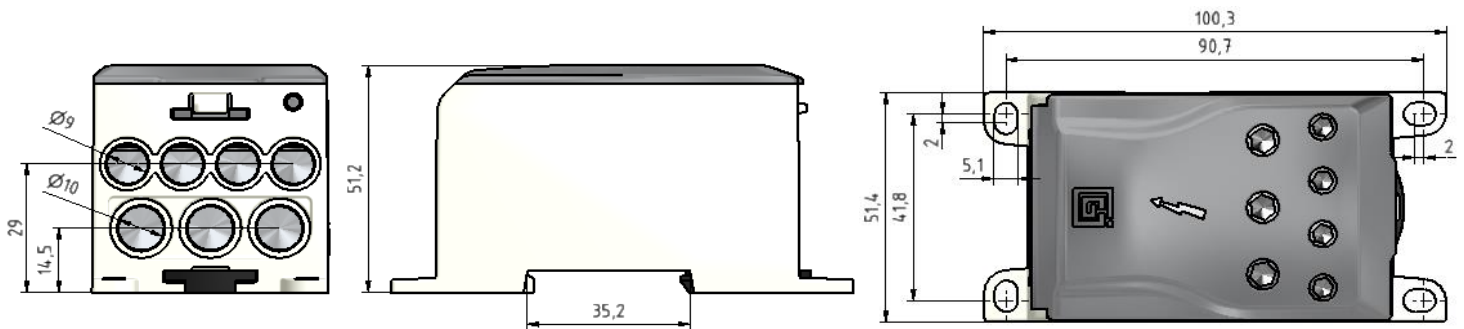
Nominal current	Cu	425	A
	Al	380	A
Nominal voltage		1000	V
Max. Current (US)	Cu	-	A
	Al	-	A
Max. Voltage (US)		-	V
Number of pole		1	pcs
Max. Cross section		240	mm ²
Tightening torque	2,5-35 mm ²	6	Nm
	6-50 mm ²	10	Nm
	95-240 mm ²	25	Nm
	-	-	Nm
Max. Operating temperature		80	°C
Weight		250	g
IP-protection		IP20	
Standards	EN 61238-1:2003; EN 60947-7-1:2009		
Color/ Material	Grey Cover, Grey Housing RAL 7035		
Mounting/ Connection	DIN-rail and screw mounting		



Description

The Single pole distribution block for branching connection. The single pole distribution block are compact and it will distribute the current through 7 output cables.

Drawing



Package

Package	Box	pcs/ package	8	Weight [Kg]	2,10
Length [mm]	210	Width [mm]	155	Height [mm]	105

Product data							
Product code	Product name	$I_{n Al}$	$I_{n Cu}$	U_n	$I_{max Al}$	$I_{max Cu}$	U_{max}
VG03-0007	OJL-connector 400 C	380 A	425 A	1000 V	-	-	-

Installation

Type **DIN-rail and screw mounting**

CE RoHS FI

Mounting with screw.
Max. \varnothing 5

DIN-rail mounting
Set the connector on a DIN-rail.
See picture.
Push until "click"

Removing from DIN-rail
Release the slider part with a screwdriver. Lift the connector.

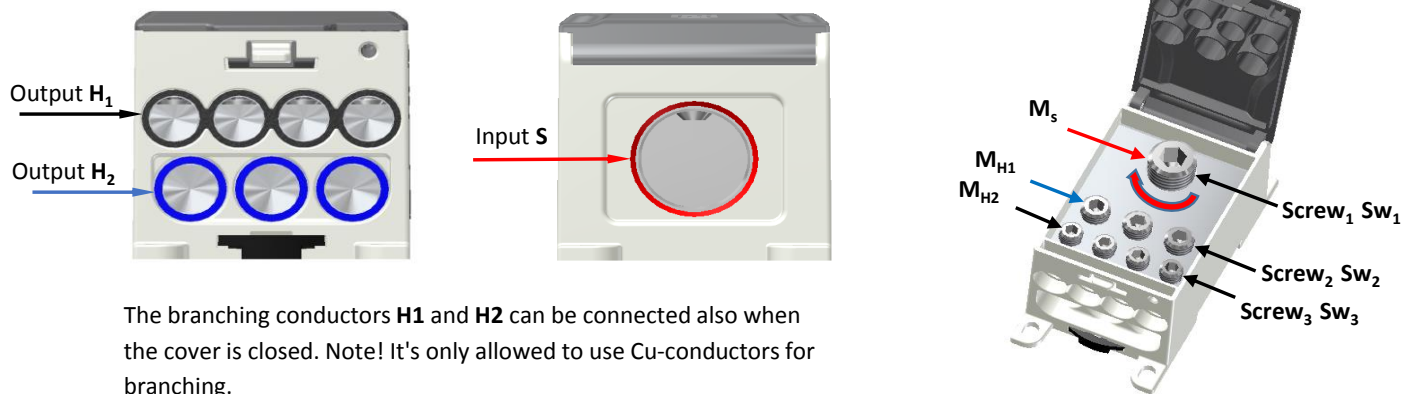
Connection

Screw size	Screw	Tightening torque M	95-240 mm ²		Stripping length (input) L ₁	30 mm
			25 Nm	10 Nm		
SW ₁	M16	(M _s / M _{H1} / M _{H2})	6-50 mm ²	10 Nm	(output) L ₂	16 mm
	8		2,5-35 mm ²	6 Nm		
SW ₂	M10		-	-		
	5		Max. Input cable	240 mm ²		
SW ₃	M8	Max. Output cable	50 mm ²			

Connect the **input** conductor when the cover is open. Both the copper- or aluminium conductors can be used in the input. Note! When using the aluminium conductor, it is only allowed to use one conductor/one space.

With the Al-conductors, it's recommended to use anti-corrosion paste. (i.e. Penetrox)

We recommend a ferrule when using a fine-stranded conductor.



The branching conductors **H1** and **H2** can be connected also when the cover is closed. Note! It's only allowed to use Cu-conductors for branching.

Cross-section of conductors and max. number of conductors/ space (for Cu-conductors). (S / H1 / H2)

1,5 mm ²	2,5 mm ²	6 mm ²	10 mm ²	16 mm ²	25 mm ²	35 mm ²	50 mm ²	Note! The specified amount of conductors refers only to industrially installed terminals.
-	0/3/0	0/3/3	0/3/3	0/2/3	0/1/2	0/1/1	0/0/1	
70 mm ²	95 mm ²	120 mm ²	150 mm ²	185 mm ²	240 mm ²	300 mm ²	400 mm ²	
-	2/0/0	2/0/0	1/0/0	1/0/0	1/0/0	-	-	