

Product data

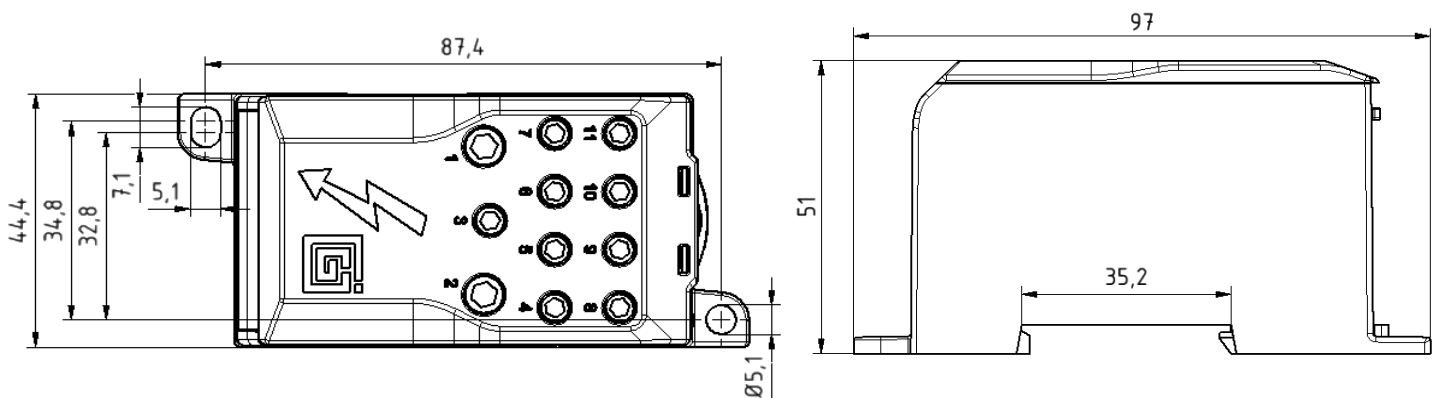
Product code	VG03-0003	STK-code	1912008	EAN-code	6410019120080
Product name	OJL-connector 280				
Wires	1xAl/Cu (35-120mm²)/ 2x(6-35 mm²)/ 5x(2,5-16mm²)/ 4x(2,5-10mm²)				

Technical data

Nominal current	Cu	280	A
	Al	250	A
Nominal voltage		1000	V
Max. Current (US)	Cu	-	A
	Al	-	A
Max. Voltage (US)		-	V
Number of pole		1	pcs
Max. Cross section		120	mm ²
Tightening torque	95-120 mm ²	19	Nm
	50-70 mm ²	10	Nm
	25-35 mm ²	6	Nm
	2,5-16 mm ²	3	Nm
Max. Operating temperature		80	°C
Weight		178	g
IP-protection		IP20	
Standards	EN 61238-1:2003; EN 60947-7-1:2009		
Color/ Material	Grey Cover, Grey Housing RAL 7035		
Mounting/ Connection	DIN-rail and screw mounting		


Description

The Single pole distribution block for branching connection. The single pole distribution block are compact and it will distribute the current through 11 output cables.

Drawing

Package

Package	Box	pcs/ package	12	Weight [Kg]	2,30
Length [mm]	210	Width [mm]	155	Height [mm]	105

Product data							
Product code	Product name	I_n Al	I_n Cu	U_n	I_{max} Al	I_{max} Cu	U_{max}
VG03-0003	OJL-connector 280	250 A	280 A	1000 V	-	-	-

Installation

Type **DIN-rail and screw mounting**

CE RoHS FI

Mounting with screw.
Max. \varnothing 5

DIN-rail mounting
Set the connector to DIN-rail.
See picture.
Push until "click"

Removing from DIN-rail
Release the slider part with screwdriver. Lift the connector.

Connection

Screw size	Screw ₁	M14	Tightening torque M	95-120 mm ²	19 Nm	Stripping length (input) L ₁	26 mm
				(M _s /M _{H1} /M _{H2} /M _{H3} /M _{H4})	50-70 mm ²		10 Nm
Screw ₂	SW ₁	6	M8	25-35 mm ²	6 Nm	L _{1,2}	
				2,5-16 mm ²	3 Nm		
Screw ₃	SW ₂	4	M6	Max. Input cable	120 mm ²		
				Max, Output cable	35 mm ²		

Connect the **input** conductor when cover is open. Can be used for both copper- or aluminium conductors. Note! The Aluminium conductor is allowed only one conductor/one space. With the Al-conductors, it's recommended to use anti-corrosion paste. (i.e. Penetrox) We recommend a ferrule when using a fine-stranded conductor.

The Output conductors **H1, H2, H3** and **H4** can be connected also when the cover is closed. Note! It's allowed use only Cu-conductors for branching.

Cross-section of conductors and number of conductors/ space. (S / H1 / H2 / H3/ H4)

1,5 mm ²	2,5 mm ²	6 mm ²	10 mm ²	16 mm ²	25 mm ²	35 mm ²	50 mm ²	The conductors number on table refer only to industrially installed terminals.
-	0/3/3/3/0	0/2/1/2/3	0/1/1/1/3	0/1/0/1/2	0/0/0/0/1	3/0/0/0/1	2/0/0/0/0	
70 mm ²	95 mm ²	120 mm ²	150 mm ²	185 mm ²	240 mm ²	300 mm ²	400 mm ²	
1/0/0/0/0	1/0/0/0/0	1/0/0/0/0	-	-	-	-	-	