

Product data

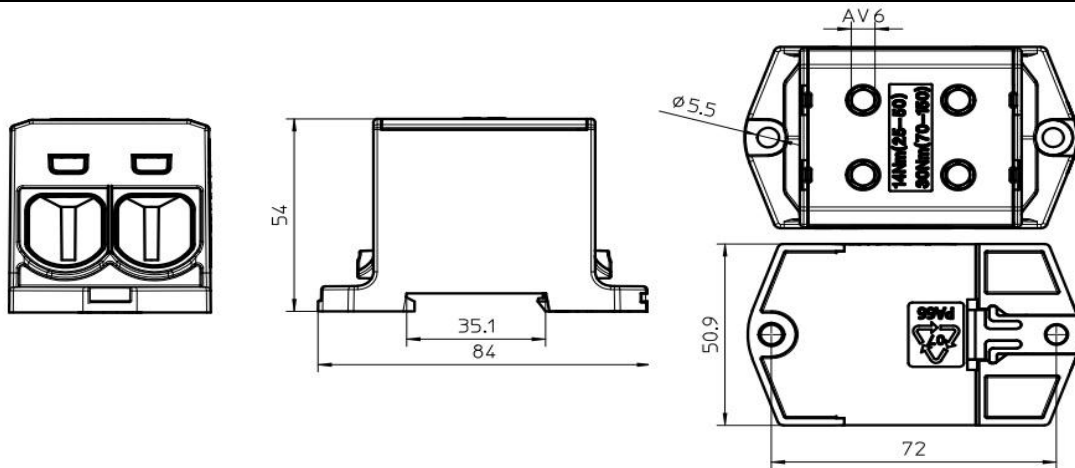
Product code	VC05-0031	STK-code	1914127	EAN-code	6410019141276
Product name	OTL-connector 2xAl/Cu 150mm ² (Grey)				
Wires	2xAl/Cu 150mm ²				

Technical data

Nominal current	Cu	640	A
	Al	580	A
Nominal voltage		1000	V
Max. Current (US)	Cu	-	A
	Al	-	A
Max. Voltage (US)		-	V
Number of pole		1	pcs
Max. Cross section		150	mm ²
Tightening torque	25-50 mm ²	14	Nm
	70-150 mm ²	30	Nm
	-	-	Nm
	-	-	Nm
Max. Operating temperature		80	°C
Weight		170	g
IP-protection		IP20	
Standards	EN 61238-1; EN60947-7-1		
Color/ Material	Grey RAL 7035/ PA66-V0		
Mounting/ Connection	DIN-rail and screw (M5) mounting		


Description

OTL-connectors are designed to be used connecting and branching aluminium and copper conductors. The body is made of tin plated aluminium.

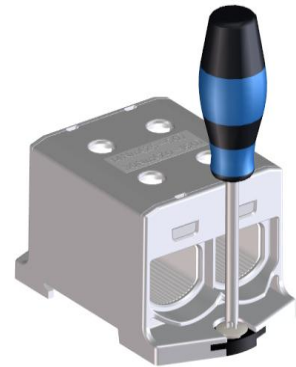
Drawing

Package

Package	Box	Pcs / Package	10	Weight [kg]	1,80
Length [mm]	210	Width [mm]	155	Height [mm]	105

Product data							
Product code	Product name	I _{n Al}	I _{n Cu}	U _n	US specific		
					I _{max Al}	I _{max Cu}	U _{max}
VC05-0031	OTL-connector 2xAl/Cu 150mm ² (Grey)	580 A	640 A	1000 V	-	-	-
VC05-0032	OTL-connector 2xAl/Cu 150mm ² (Blue)	580 A	640 A	1000 V	-	-	-
VC05-0033	OTL-connector 2xAl/Cu 150mm ² (Yellow/Green)	580 A	640 A	1000 V	-	-	-

Installation

Type	DIN-rail and screw (M5) mounting
------	---

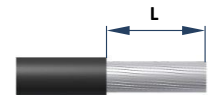
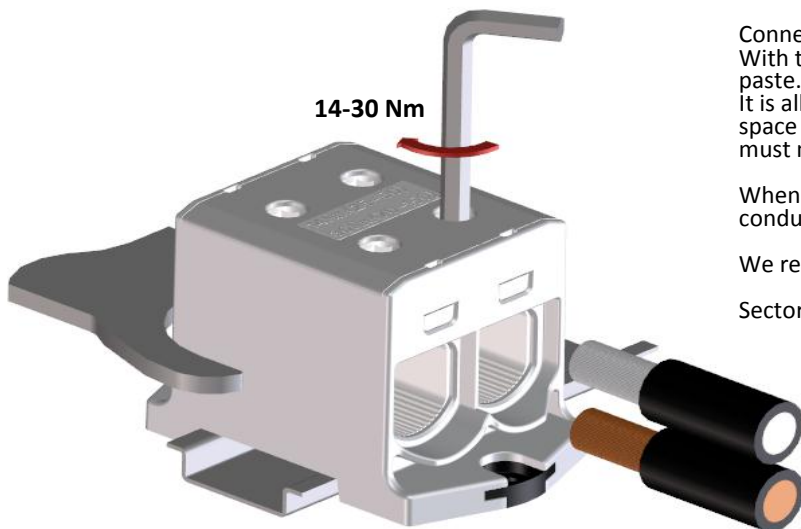


DIN-rail mounting
Set the connector to DIN-rail.
See picture. Push until "click"
Removing
Release the slider and lift connector

Screw mounting
Use max. Ø5 mm screw.
See picture .


Connection

Screw	Thread	M16	Tightening torque	25-50 mm ²	14 Nm	Stripping length L	20 mm	
		SW		6	70-150 mm ²			30 Nm
					-			-
					-			-
			Max. Wire cross section	150 mm²				


Installation


Connector can be used for both **copper- or aluminium conductors**.
With the Al-conductors, It's recommended to use anti-corrosion paste. (e.g. Penetrox).
It is allowed to use max. of three adjacent cross sections in one space (Copper conductors). The nominal max. cross-section value must not be exceeded.

When used Al-conductors, it is allowed to use only one conductor/space.

We recommend a ferrule when using a fine-stranded conductor.

Sector shaped conductors must be pre-rounded before installation.

Each protective or neutral conductor must have their own conductor space. SFS 6000:2007 clause 810.7

Cross section and max. number of Cu- conductors / space (Al- conductors in parenthesis)

1,5 mm ²	2,5 mm ²	6 mm ²	10 mm ²	16 mm ²	25 mm ²	35 mm ²	50 mm ²	The specified max. amount of conductors refers only to industrially installed terminals.		
-	-	-	-	-	3 (1)	3 (1)	3 (1)			
			70 mm ²	95 mm ²	120 mm ²	150 mm ²	185 mm ²	240 mm ²	300 mm ²	400 mm ²
			2 (1)	1 (1)	1 (1)	1 (1)	-	-	-	-