

**Product data**

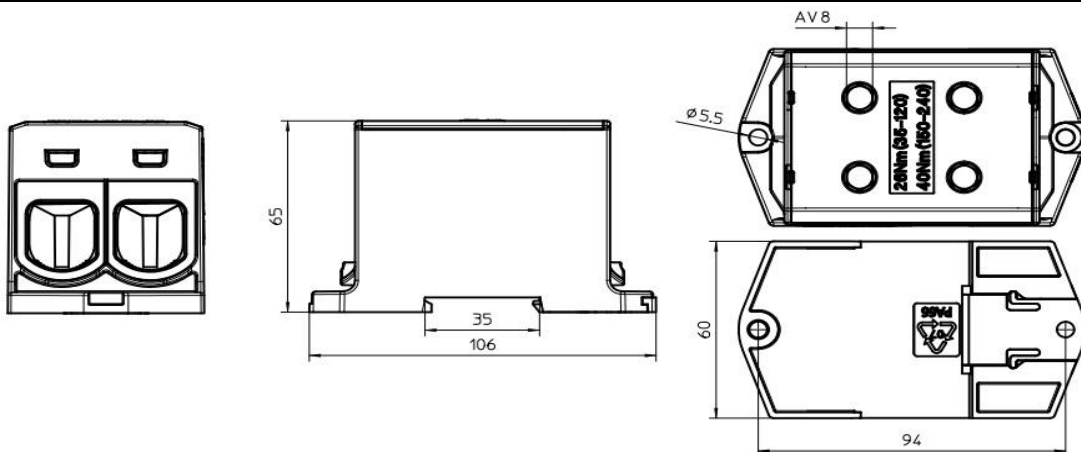
Product code	<b>VC05-0038</b>	STK-code	<b>1914134</b>	EAN-code	<b>6410019141344</b>
Product name	OTL-connector 2xAl/Cu 240mm <sup>2</sup> (Blue)				
Wires	2xAl/Cu 240mm <sup>2</sup>				

**Technical data**

Nominal current	Cu	<b>850</b>	A
	Al	<b>760</b>	A
Nominal voltage		<b>1000</b>	V
Max. Current (US)	Cu	<b>760</b>	A
	Al	<b>620</b>	A
Max. Voltage (US)		<b>600</b>	V
Number of pole		<b>1</b>	pcs
Max. Cross section		<b>240</b>	mm <sup>2</sup>
Tightening torque	35-120 mm <sup>2</sup>	<b>26</b>	Nm
	150-240 mm <sup>2</sup>	<b>40</b>	Nm
	-	-	Nm
	-	-	Nm
Max. Operating temperature		<b>80</b>	°C
Weight		<b>340</b>	g
IP-protection		<b>IP20</b>	
Standards	<b>EN 61238-1; EN60947-7-1; UL1059</b>		
Color/ Material	<b>Blue RAL 5015/ PA66-V0</b>		
Mounting/ Connection	<b>DIN-rail and screw (M5) mounting</b>		


**Description**

OTL-connectors are designed to be used connecting and branching aluminium and copper conductors. The body is made of tin plated aluminium.

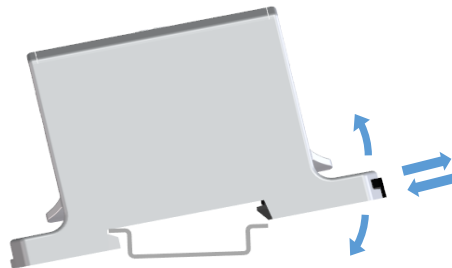
**Drawing**

**Package**

Package	<b>Box</b>	Pcs / Package	<b>3</b>	Weight [kg]	<b>1,00</b>
Length [mm]	<b>210</b>	Width [mm]	<b>155</b>	Height [mm]	<b>105</b>

Product data							
Product code	Product name	I <sub>n Al</sub>	I <sub>n Cu</sub>	U <sub>n</sub>	US specific		
					I <sub>max Al</sub>	I <sub>max Cu</sub>	U <sub>max</sub>
VC05-0037	OTL-connector 2xAl/Cu 240mm <sup>2</sup> (Grey)	760 A	850 A	1000 V	-	-	-
VC05-0038	OTL-connector 2xAl/Cu 240mm <sup>2</sup> (Blue)	760 A	850 A	1000 V	-	-	-
VC05-0039	OTL-connector 2xAl/Cu 240mm <sup>2</sup> (Yellow/Green)	760 A	850 A	1000 V	-	-	-

**Installation**

Type	<b>DIN-rail and screw (M5) mounting</b>
------	---



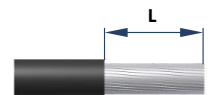
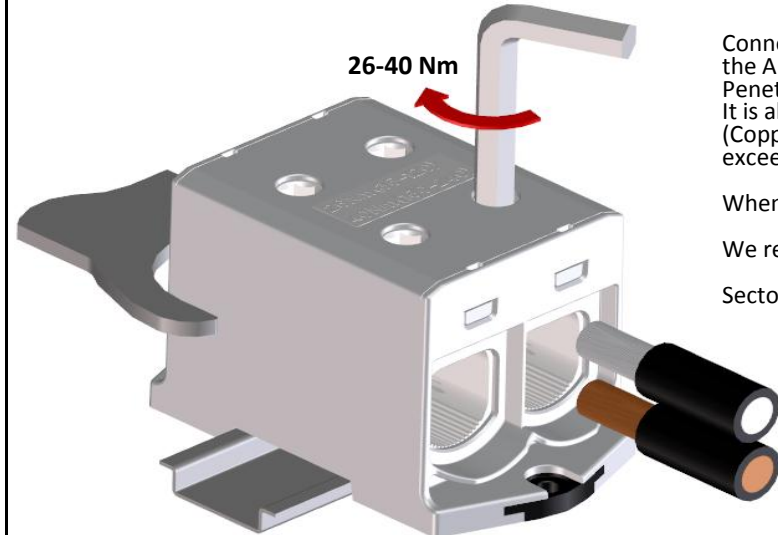
**DIN-rail mounting**  
Set the connector to DIN-rail. See picture. Push until "click"  
**Removing**  
Release the slider and lift connector



**Screw mounting**  
Use max. Ø5 mm screw. See picture .


**Connection**

Screw	Thread	<b>M20</b>	Tightening torque	35-120 mm <sup>2</sup>	<b>26 Nm</b>	Stripping length L	<b>30 mm</b>
		<b>SW</b>		150-240 mm <sup>2</sup>	<b>40 Nm</b>		
			-	-			
			-	-			
			Max. Wire cross section	<b>240 mm<sup>2</sup></b>			


**Installation**


Connector can be used for both **copper- or aluminium conductors**. With the Al-conductors, it's recommended to use anti-corrosion paste. (e.g. Penetrox). It is allowed to use max. of three adjacent cross sections in one space (Copper conductors). The nominal max. cross section value must not be exceeded.

When used Al-conductors, it is allowed to use only one conductor/space.

We recommend a ferrule when using a fine-stranded conductor.

Sector shaped conductors must be pre-rounded before installation.

Each protective or neutral conductor must have their own conductor space. SFS 6000:2007 clause 810.7

**Cross section and max. number of Cu- conductors / space (Al- conductors in parenthesis)**

1,5 mm <sup>2</sup>	2,5 mm <sup>2</sup>	6 mm <sup>2</sup>	10 mm <sup>2</sup>	16 mm <sup>2</sup>	25 mm <sup>2</sup>	35 mm <sup>2</sup>	50 mm <sup>2</sup>	The specified max. amount of conductors refers only to industrially installed terminals.		
-	-	-	-	-	-	<b>3 (1)</b>	<b>3 (1)</b>			
			70 mm <sup>2</sup>	95 mm <sup>2</sup>	120 mm <sup>2</sup>	150 mm <sup>2</sup>	185 mm <sup>2</sup>	240 mm <sup>2</sup>	300 mm <sup>2</sup>	400 mm <sup>2</sup>
			<b>3 (1)</b>	<b>2 (1)</b>	<b>2 (1)</b>	<b>1 (1)</b>	<b>1 (1)</b>	<b>1 (1)</b>	-	-