

Product data

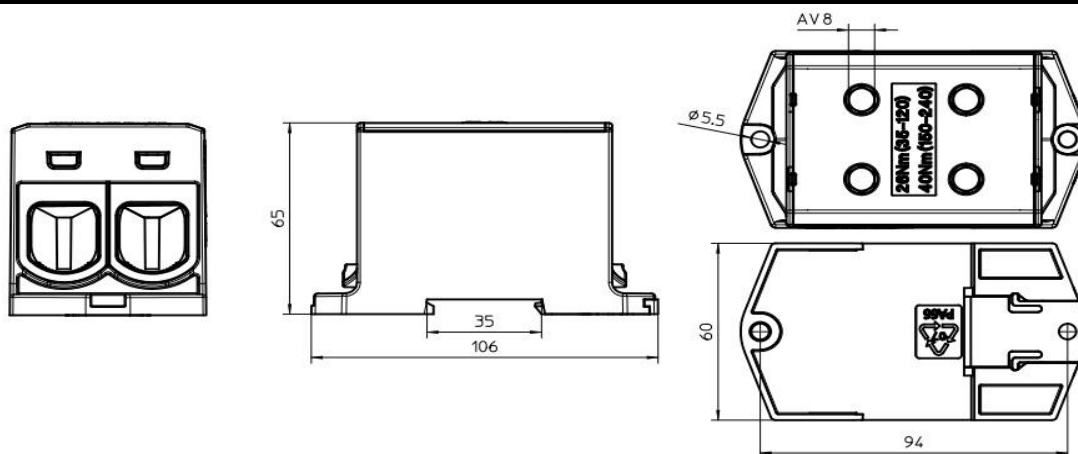
Product code	VC05-0037	STK-code	1914133	EAN-code	6410019141337
Product name	OTL-connector 2xAl/Cu 240mm ² (Grey)				
Wires	2xAl/Cu 240mm ²				

Technical data

Nominal current	Cu	850	A
	Al	760	A
Nominal voltage		1000	V
Max. Current (US)	Cu	760	A
	Al	620	A
Max. Voltage (US)		600	V
Number of pole		1	pcs
Max. Cross section		240	mm ²
Tightening torque	35-120 mm ²	26	Nm
	150-240 mm ²	40	Nm
	-	-	Nm
	-	-	Nm
Max. Operating temperature		80	°C
Weight		340	g
IP-protection		IP20	
Standards	EN 61238-1; EN60947-7-1; UL1059		
Color/ Material	Grey RAL 7035/ PA66-V0		
Mounting/ Connection	DIN-rail and screw (M5) mounting		


Description

OTL-connectors are designed to be used connecting and branching aluminium and copper conductors. The body is made of tin plated aluminium.

Drawing

Package

Package	Box	Pcs / Package	6	Weight [kg]	2,00
Length [mm]	300	Width [mm]	205	Height [mm]	100

Product data							
Product code	Product name	I _{n Al}	I _{n Cu}	U _n	US specific		
					I _{max Al}	I _{max Cu}	U _{max}
VC05-0037	OTL-connector 2xAl/Cu 240mm ² (Grey)	760 A	850 A	1000 V	-	-	-
VC05-0038	OTL-connector 2xAl/Cu 240mm ² (Blue)	760 A	850 A	1000 V	-	-	-
VC05-0039	OTL-connector 2xAl/Cu 240mm ² (Yellow/Green)	760 A	850 A	1000 V	-	-	-

Installation

Type	DIN-rail and screw (M5) mounting
------	---



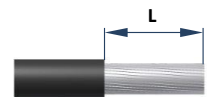
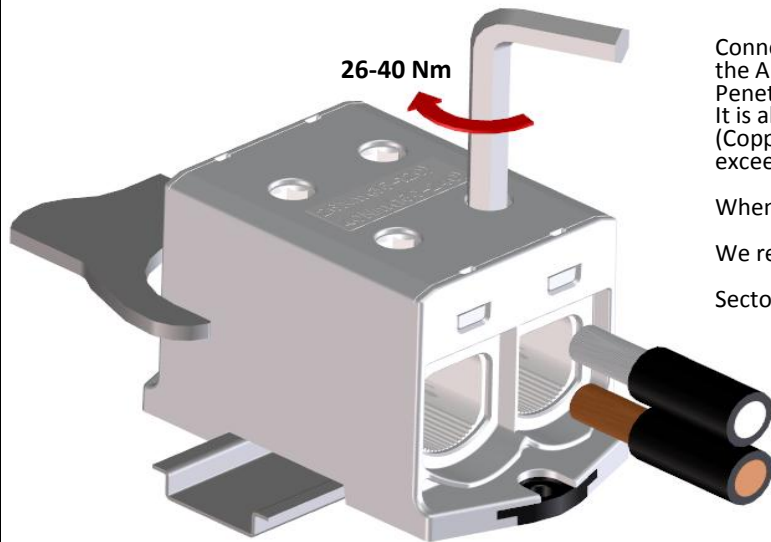
DIN-rail mounting
Set the connector to DIN-rail. See picture. Push until "click"
Removing
Release the slider and lift connector



Screw mounting
Use max. Ø5 mm screw. See picture .


Connection

Screw	Thread	M20	Tightening torque	35-120 mm ²	26 Nm	Stripping length L	30 mm
		SW		150-240 mm ²	40 Nm		
				-	-		
				-	-		
			Max. Wire cross section	240 mm²			


Installation


Connector can be used for both **copper- or aluminium conductors**. With the Al-conductors, it's recommended to use anti-corrosion paste. (e.g. Penetrox). It is allowed to use max. of three adjacent cross sections in one space (Copper conductors). The nominal max. cross section value must not be exceeded.

When used Al-conductors, it is allowed to use only one conductor/space.

We recommend a ferrule when using a fine-stranded conductor.

Sector shaped conductors must be pre-rounded before installation.

Each protective or neutral conductor must have their own conductor space. SFS 6000:2007 clause 810.7

Cross section and max. number of Cu- conductors / space (Al- conductors in parenthesis)

1,5 mm ²	2,5 mm ²	6 mm ²	10 mm ²	16 mm ²	25 mm ²	35 mm ²	50 mm ²	The specified max. amount of conductors refers only to industrially installed terminals.		
-	-	-	-	-	-	3 (1)	3 (1)			
			70 mm ²	95 mm ²	120 mm ²	150 mm ²	185 mm ²	240 mm ²	300 mm ²	400 mm ²
			3 (1)	2 (1)	2 (1)	1 (1)	1 (1)	1 (1)	-	-