

Product data

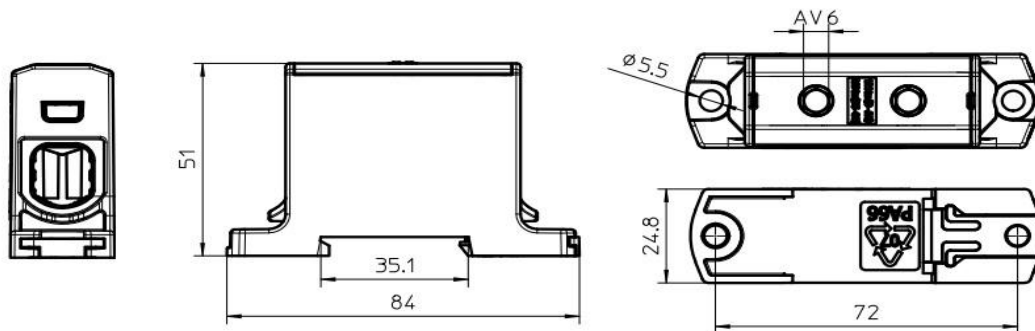
Product code	VC05-0019	STK-code	1914112	EAN-code	6410019141122
Product name	OTL-connector 1xAl/Cu 6-95mm ² (Grey)				
Wires	1xAl/Cu 6-95mm ²				

Technical data

Nominal current	Cu	245	A
	Al	220	A
Nominal voltage		1000	V
Max. Current (US)	Cu	-	A
	Al	-	A
Max. Voltage (US)		-	V
Number of pole		1	pcs
Max. Cross section		95	mm ²
Tightening torque	6-25 mm ²	12	Nm
	35-95 mm ²	22	Nm
	-	-	Nm
	-	-	Nm
Max. Operating temperature		80	°C
Weight		65	g
IP-protection		IP20	
Standards	EN 61238-1; EN60947-7-1		
Color/ Material-flame rating	Grey RAL 7035/ PA66-V0		
Mounting/ Connection	DIN-rail and screw (M5) mounting		


Description

OTL-connectors are designed to be used connecting and branching aluminium and copper conductors. The body is made of tin plated aluminium.

Drawing

Package

Package	Box	Pcs / Package	20	Weight [kg]	1,50
Length [mm]	210	Width [mm]	155	Height [mm]	105

